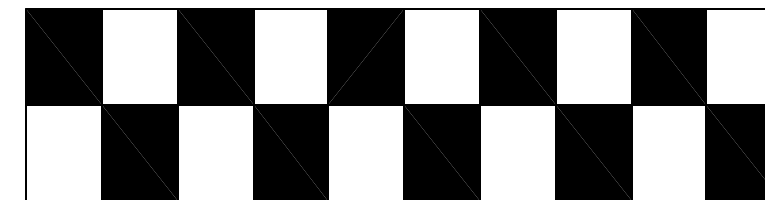
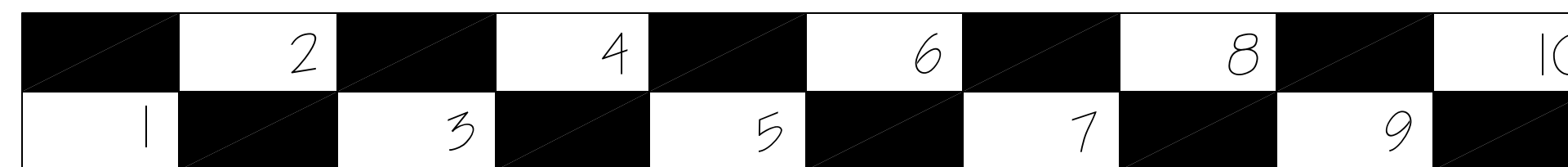


Centimeters



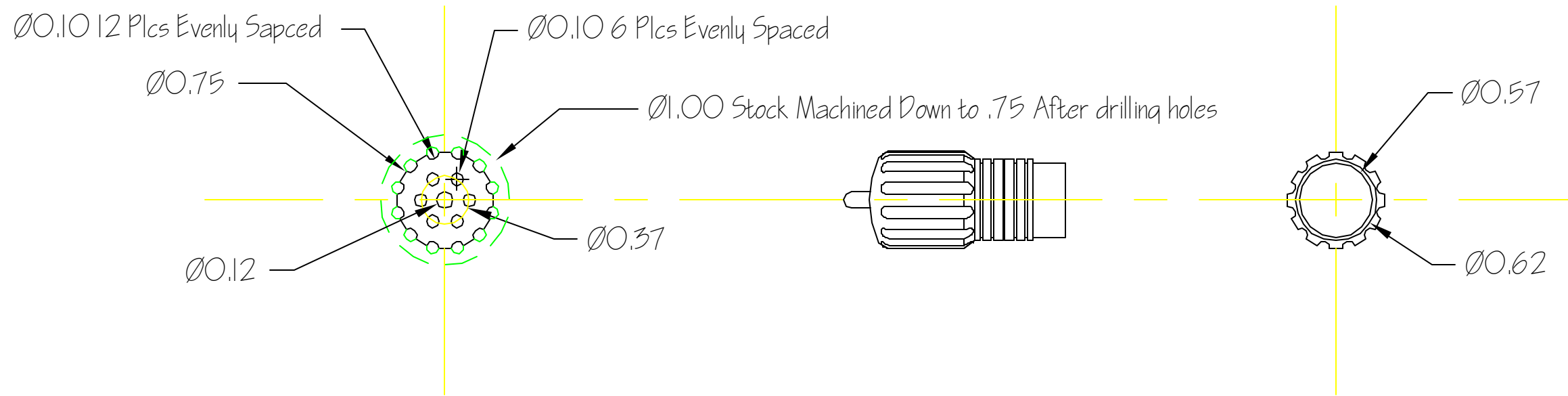
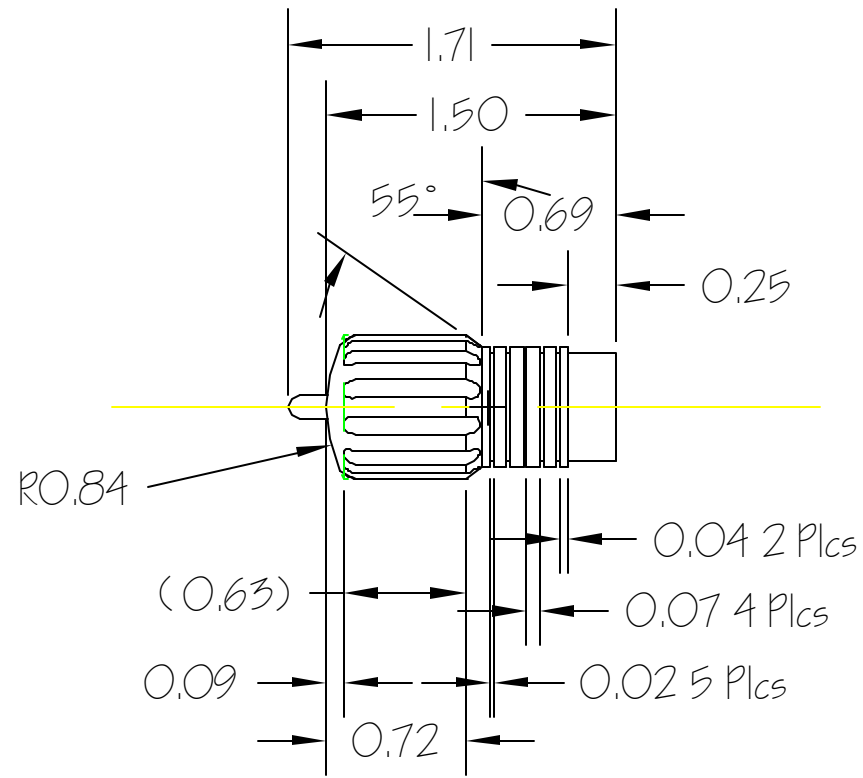
Inches

Copyright 2005 Alan Sinclair



SINCLAIR ENGINEERING

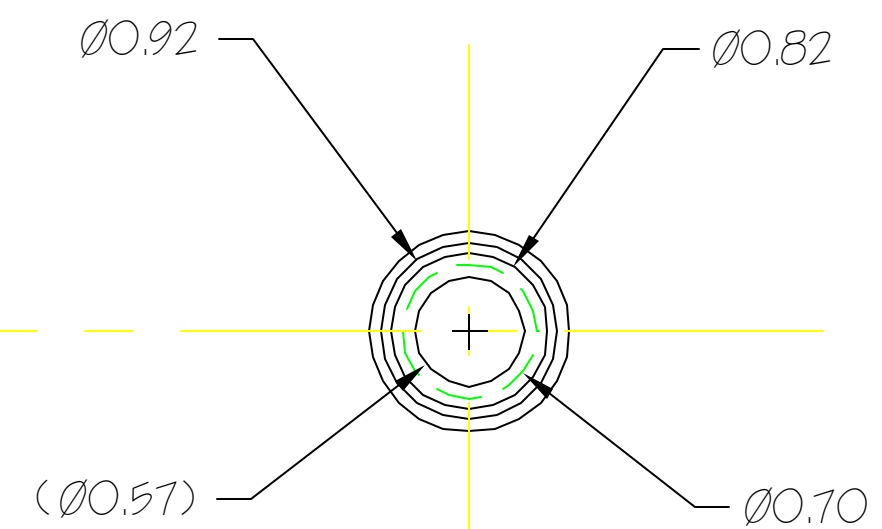
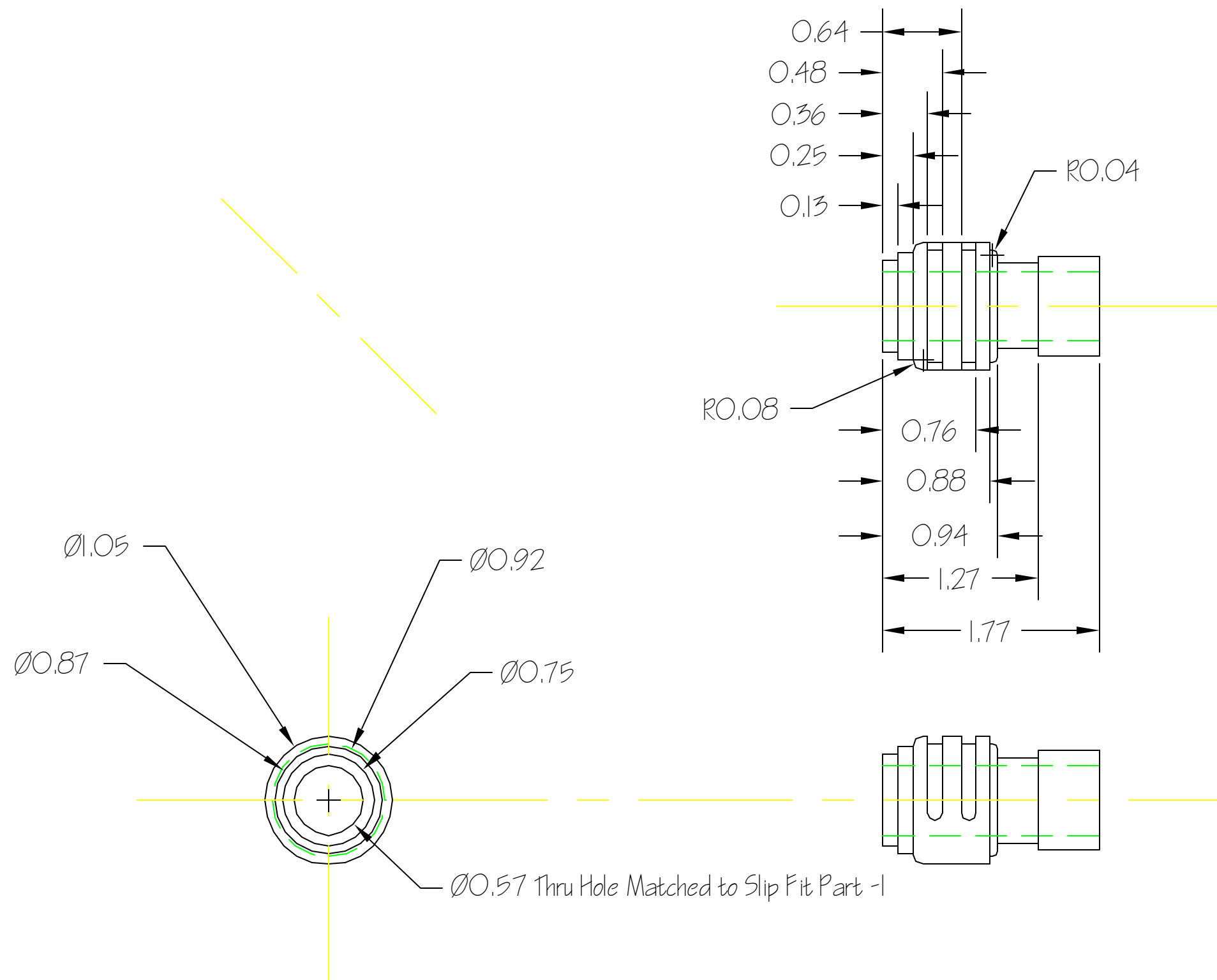
Group: Alan Sinclair
 Date: 12/21/07
 Title: 1/89



-1 Power Adjustment Knob

SINCLAIR ENGINEERING

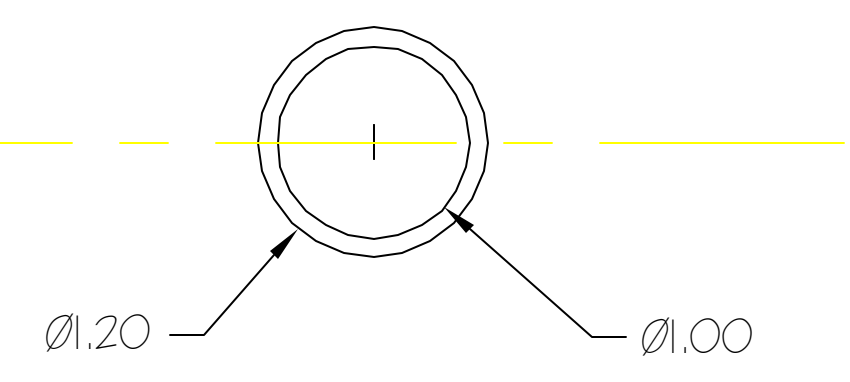
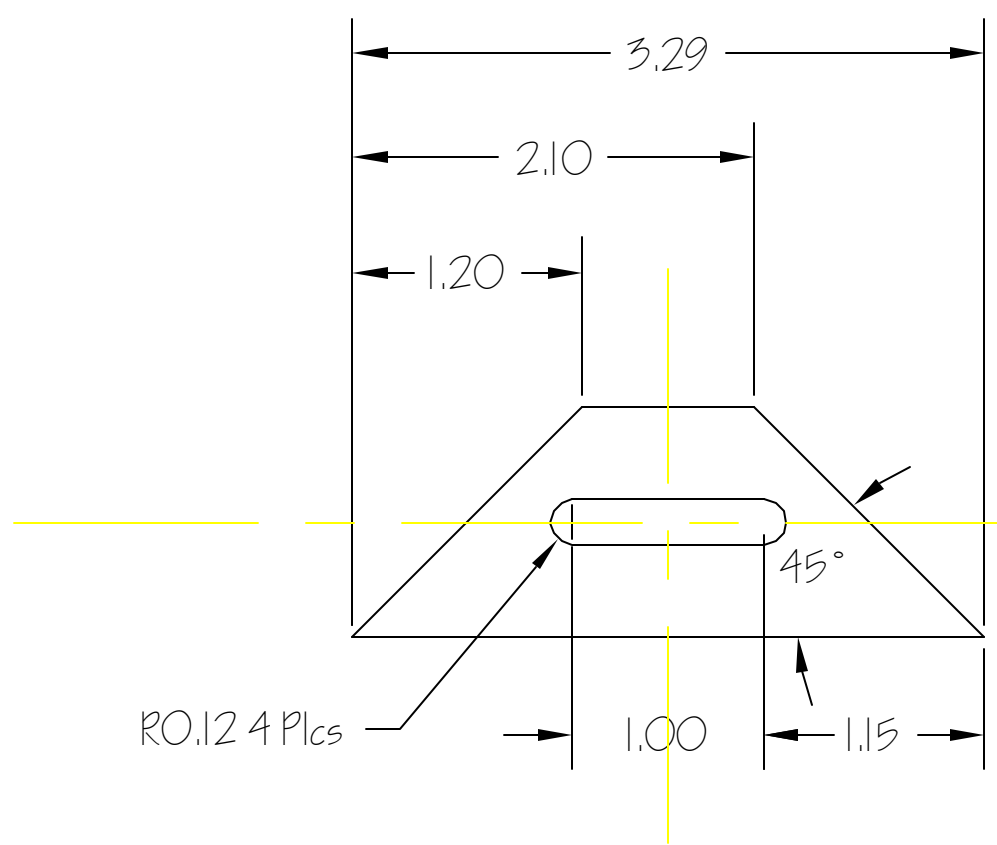
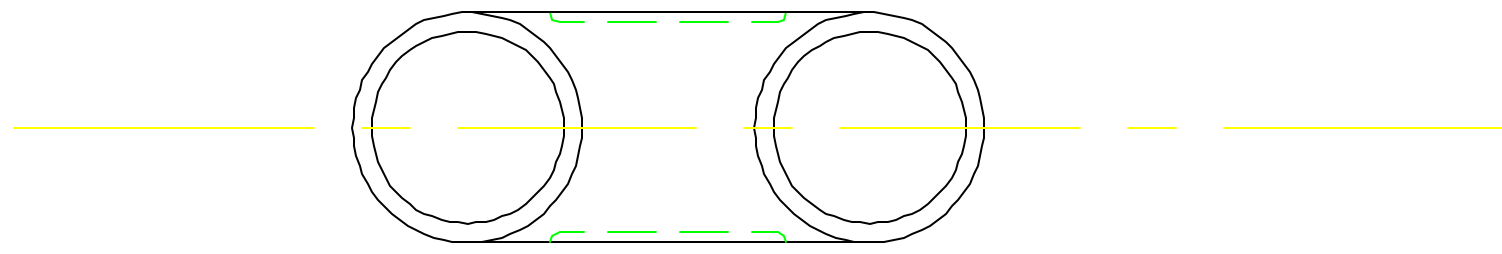
Drawings: N153-000
 Date: 12/21/07
 Scale: None
 Sheet: 2 of 9



-2 Power Regulator

SINCLAIR ENGINEERING

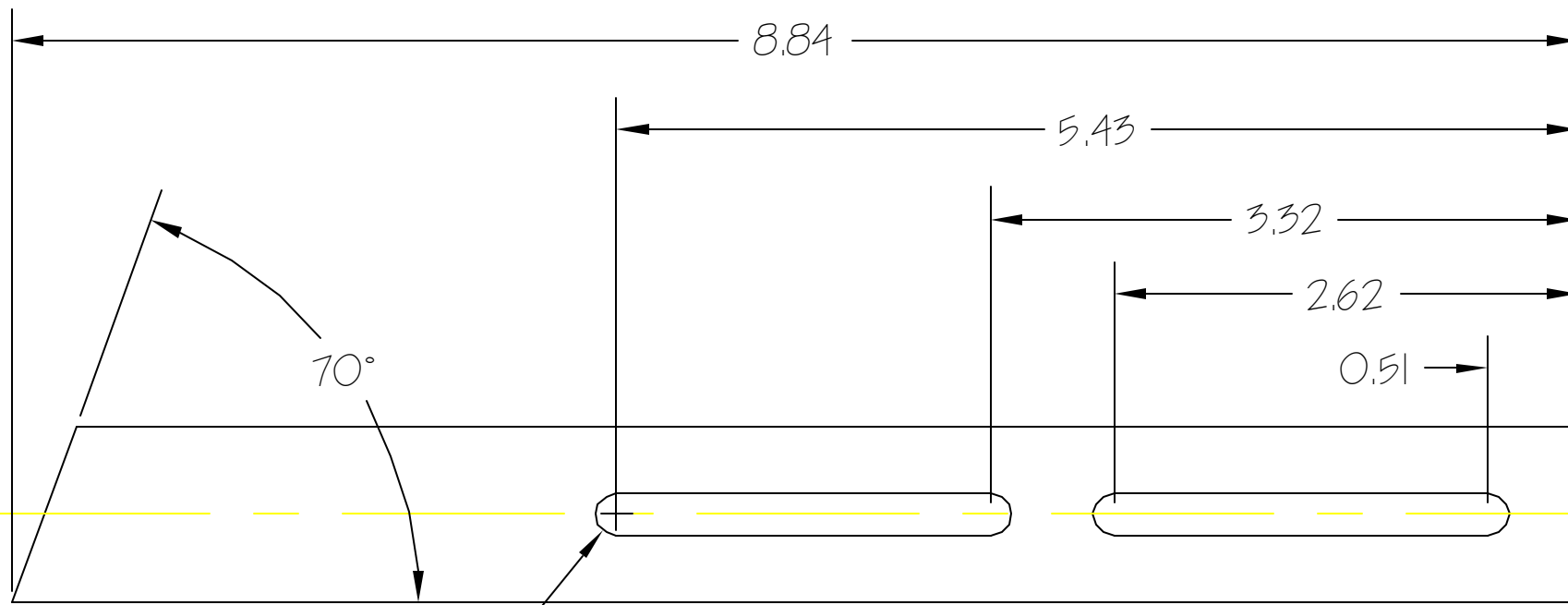
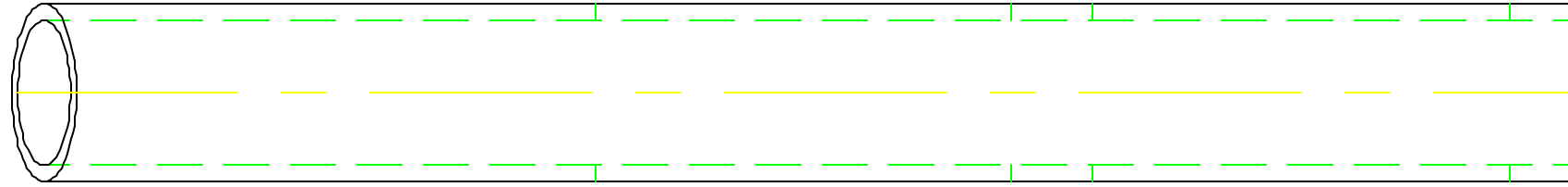
Drawings: N153-000
 Date: 12/21/07
 Scale: None
 Sheet: 3 of 9



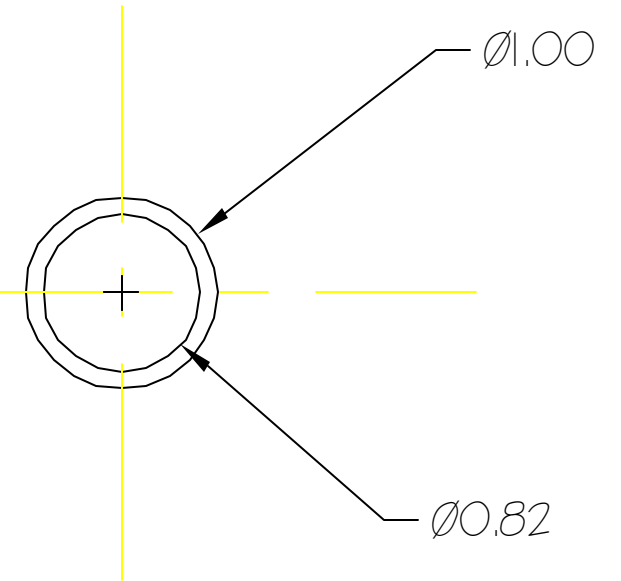
-3 Plasma Chamber

SINCLAIR
ENGINEERING

Drawn: N53-000
Date: 12/21/07
Scale: None
Sheet: 4 of 9



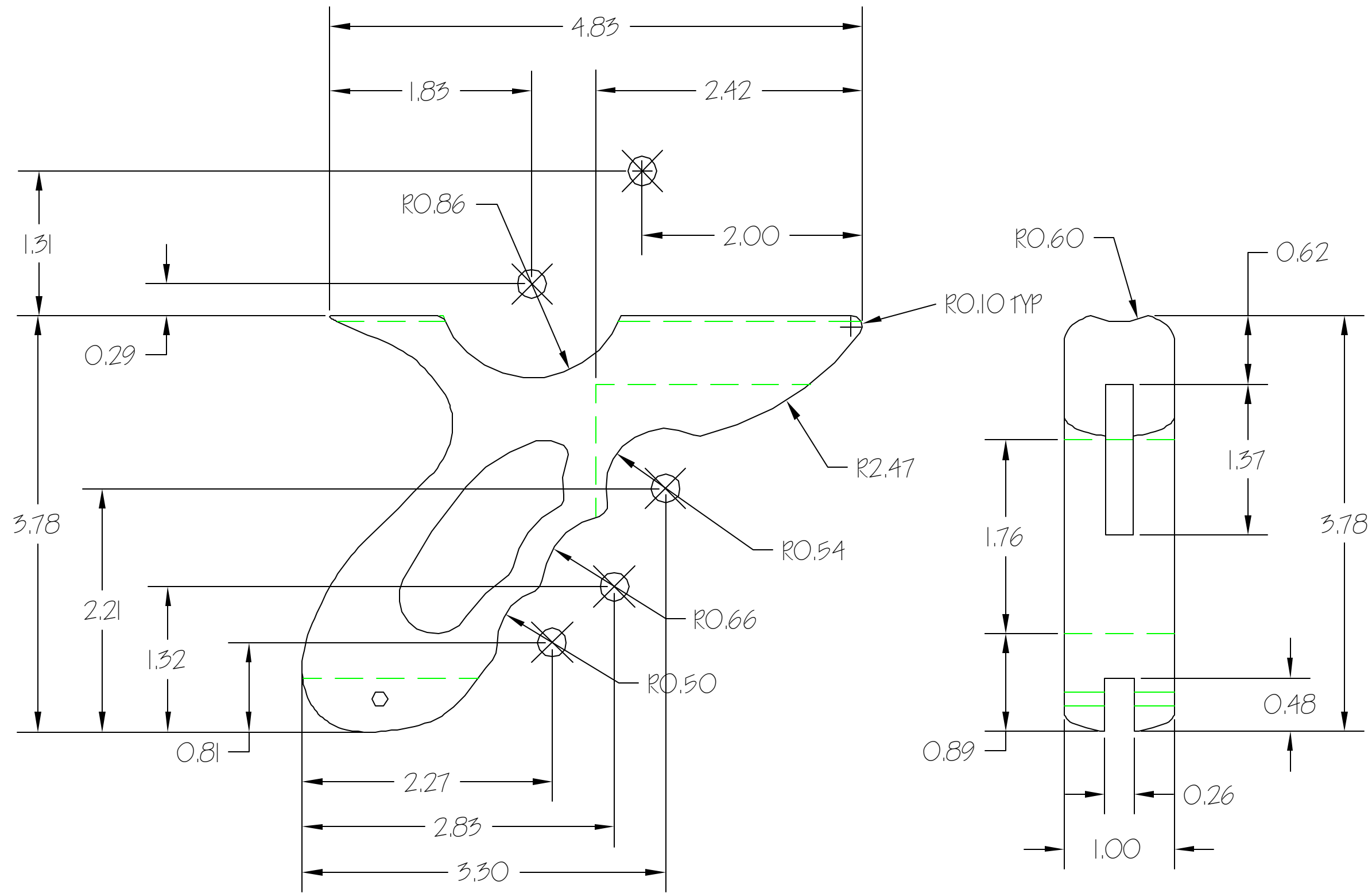
R0.12 TYP



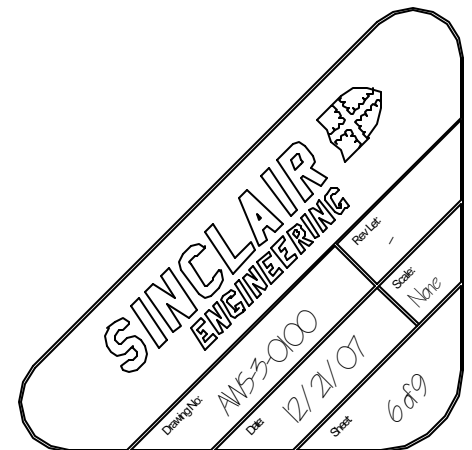
-4 Reinforced Barrel

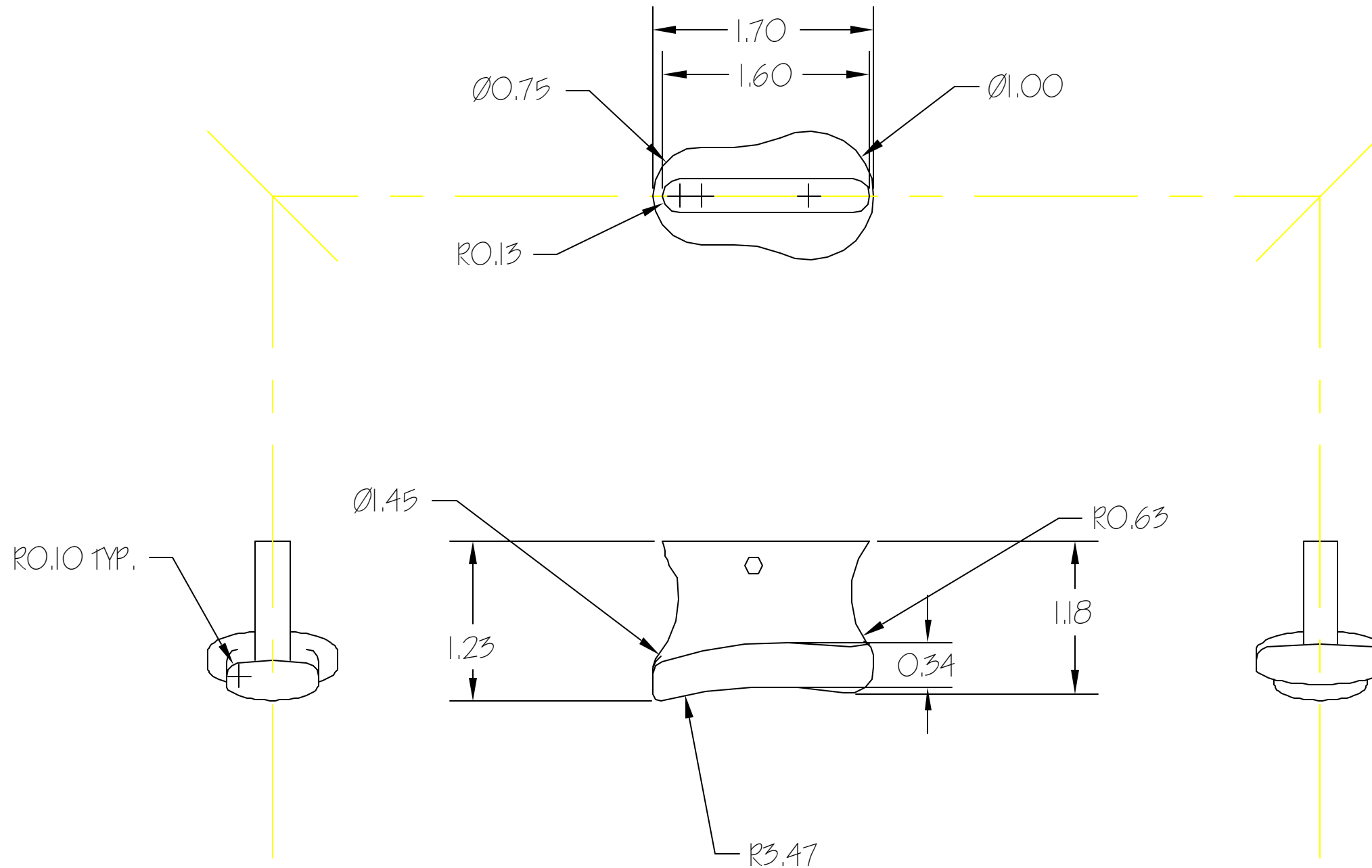
SINCLAIR
ENGINEERING

Drawn by: N53-000	Rev. No: -
Date: 12/21/07	Scale: None
Sheet: 5 of 9	

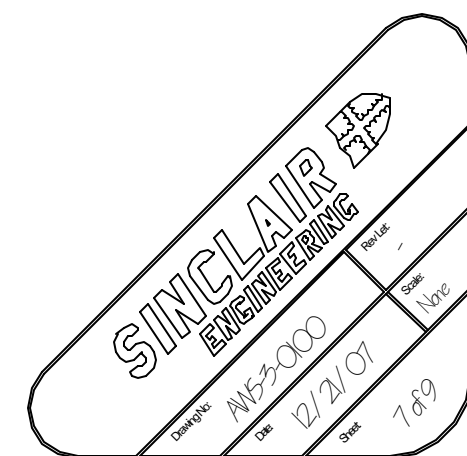


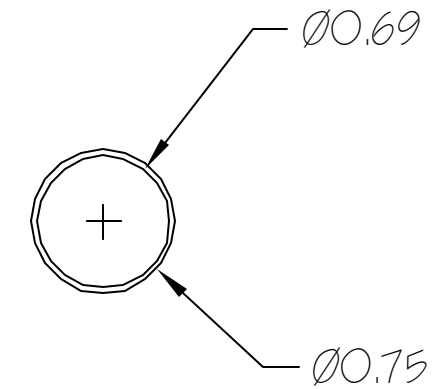
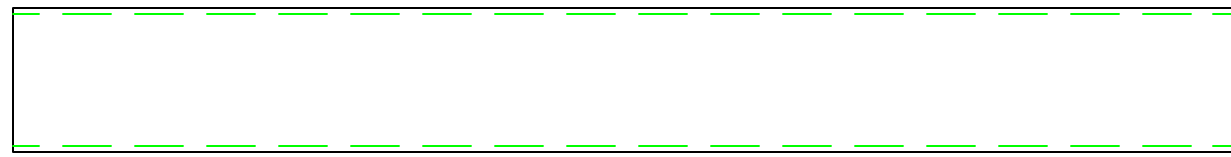
-5 Grip & Power Cell
 Use Full Size Drawing As Template



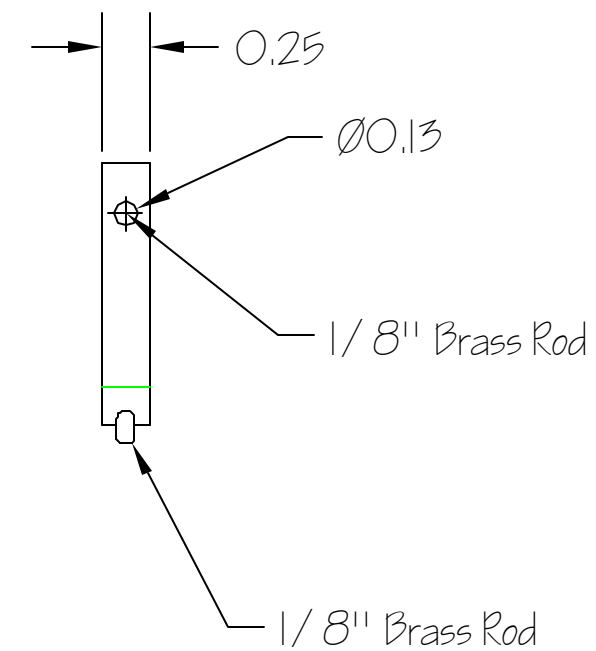
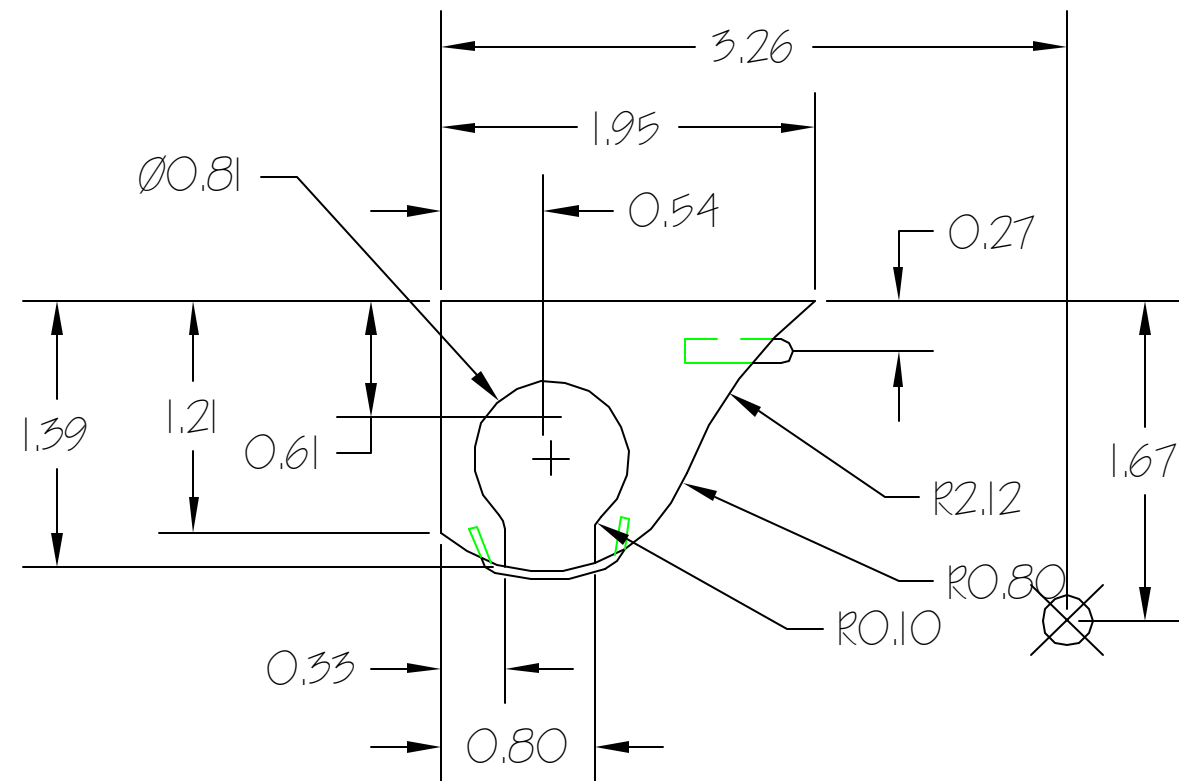


-6 Counter Balance

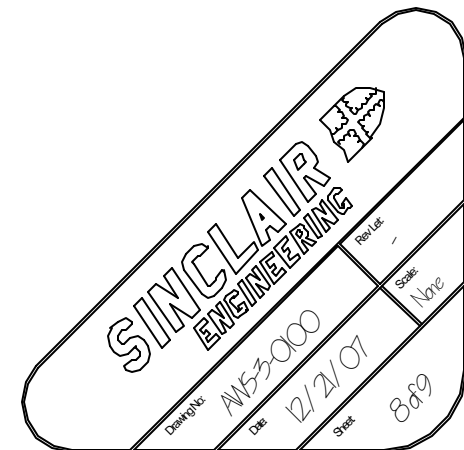




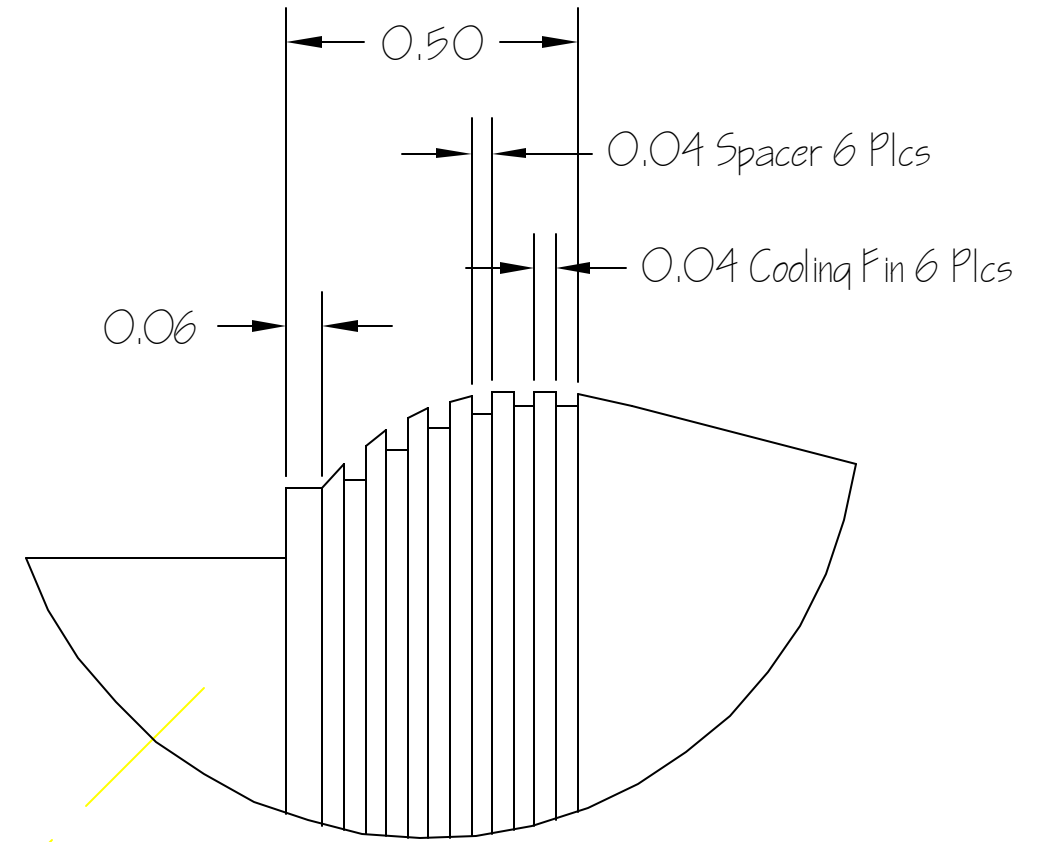
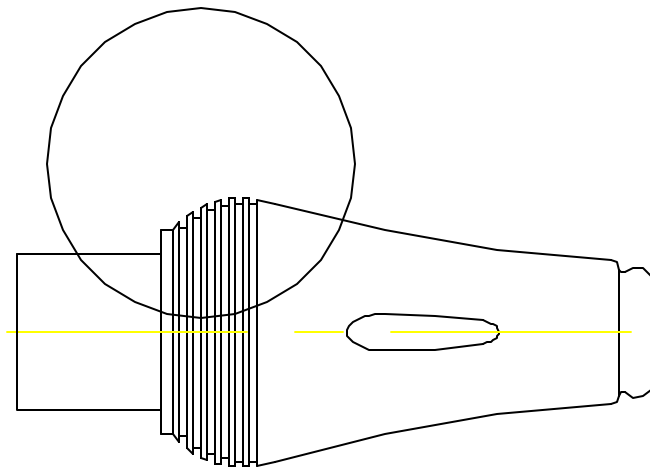
-9 Barrel Liner
 Make from 3/4" Brass Tubing



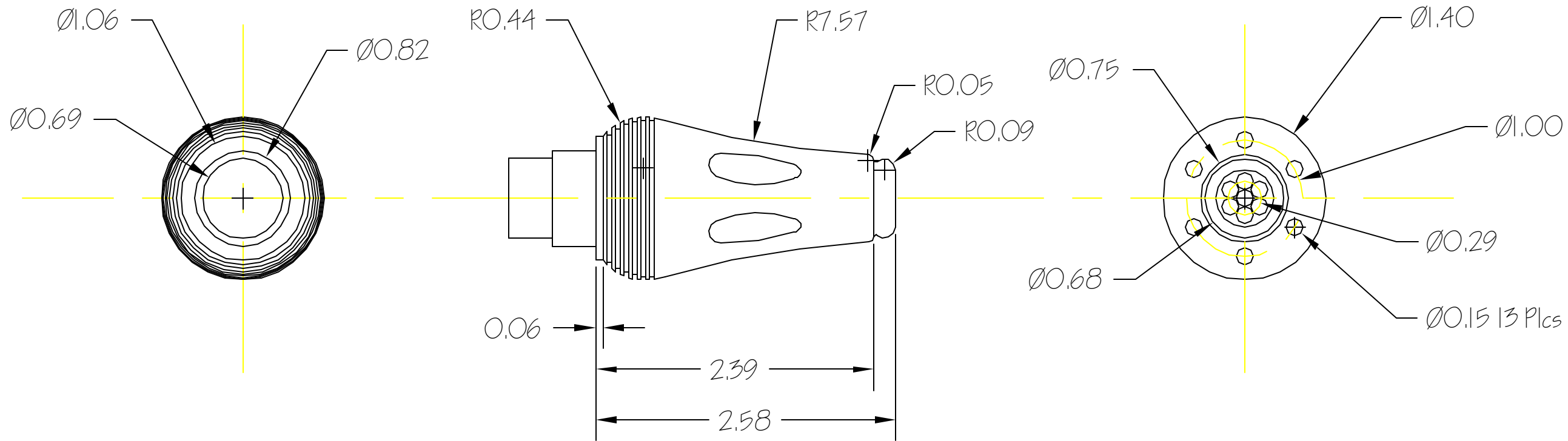
-7 Triqger



Detail A



Detail A X3 Scale



-8 Flash Suppressor

